

Single Bossed Clamps

Two piece single bossed clamp with connection socket and noise insulating rubber lining

Material specifications	
Material	Pipe Clamp - DD11 or equivalent steel Lining - EPDM
Coatings	Galvanized, Hot-Dip Galvanized, Zinc Magnesium*
Lining Properties	Service Temperature -20°C to +110°C Noise Reduction Up to 18dB (A)

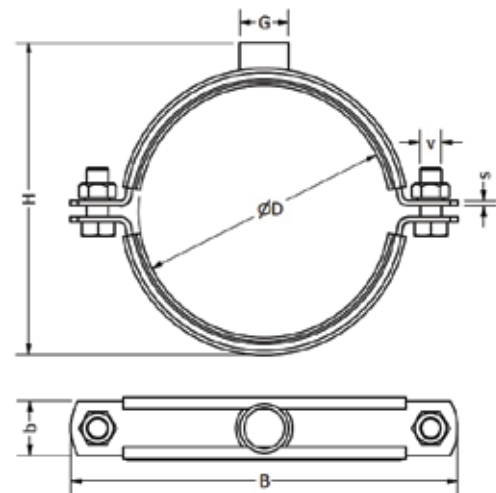


Applications

- Installation of heavy duty industrial pipes
- Suitable for installation of cast iron and ductile iron pipes
- Suitable for stand-off Installations of pipes

Features & Benefits

- Connection socket provides higher bending resistance for stand off pipe installations
- Ideally to be used with threaded pipe and base plate for stand off pipe installations
- Strong clamping bolts offers enhanced flexibility in accomodating higher variation of pipe diameters and higher loads
- Dual nut allows multiple threaded attachments
- Reinforced rib design provides enhanced strength
- Noise insulating and temperature resistant EPDM lining



Select Variant

Article No.			Product Description	Clamping Range (D) (mm)	Pipe Size		B (mm)	H (mm)	bxs (mm)	V	Max. Reco. Static Load (Frec) (N)	Pack Size (Nos)
Galvanized (vz)					(inch)	(mm)						
1/2"	3/4"	1"										
615000	615002	615004	FX SRS Heavy CS, 1/4", (12-17)	12 - 17	1/4"	-	75	27	25x2.0	M8	2750	50
615006	615008	615010	FX SRS Heavy CS, 1/2", (21-28)	21 - 28	1/2"	-	81	31	25x2.0	M8	2750	50
615012	615014	615016	FX SRS Heavy CS, 3/4", (25-32)	25 - 32	3/4"	-	87	34	25x2.0	M8	2750	50
615018	615020	615022	FX SRS Heavy CS, 1", (33-40)	33 - 40	1"	-	94	38	25x2.0	M8	2750	50
615024	615026	615028	FX SRS Heavy CS, 1 1/4", (41-48)	41 - 48	1 1/4"	-	103	43	25x2.0	M8	2750	50
615030	615032	615034	FX SRS Heavy CS, 1 1/2", (48-56)	48 - 56	1 1/2"	-	111	46	25x2.0	M8	2750	40
615036	615038	615040	FX SRS Heavy CS, 57 mm, (53-59)	53 - 59	-	57	120	50	25x2.0	M8	2750	40
615042	615044	615046	FX SRS Heavy CS, 2", (60-69)	60 - 69	2"	-	125	52	25x2.0	M8	2750	40
615048	615050	615052	FX SRS Heavy CS, 70 mm, (67-75)	67 - 75	-	70	134	56	25x2.0	M8	2750	30
615054	615056	615058	FX SRS Heavy CS, 2 1/2", (75-81)	75 - 81	2 1/2"	-	141	60	25x2.0	M8	2750	30
615060	615062	615064	FX SRS Heavy CS, 83 mm, (83-91)	83 - 91	-	83	149	64	25x2.0	M8	2750	30
615066	615068	615070	FX SRS Heavy CS, 3", (87-95)	87 - 95	3"	-	154	66	25x2.0	M8	2750	30
615072	615074	615076	FX SRS Heavy CS, 102 mm, (95-104)	95 - 104	-	102	161	70	25x2.0	M8	2750	30
615078	615080	615082	FX SRS Heavy CS, 110 mm, (102-112)	102 - 112	-	110	169	74	30x2.5	M8	3750	30
615084	615086	615088	FX SRS Heavy CS, 4", (109-119)	109 - 119	4"	-	178	80	30x2.5	M8	3750	30
615090	615092	615094	FX SRS Heavy CS, 125 mm, (122-138)	122 - 138	-	125	192	87	30x3.0	M10	6000	10
615096	615098	615100	FX SRS Heavy CS, 133 mm, (128-141)	128 - 141	-	133	197	90	30x3.0	M10	6000	10
615102	615104	615106	FX SRS Heavy CS, 5", (136-147)	136 - 147	5"	-	204	93	30x3.0	M10	6000	10
615108	615110	615112	FX SRS Heavy CS, 160 mm, (153-164)	153 - 164	-	160	220	101	30x3.0	M10	6000	10
615114	615116	615118	FX SRS Heavy CS, 6", (164-174)	164 - 174	6"	-	229	106	30x3.0	M10	6000	20
615120	615122	615124	FX SRS Heavy CS, 202 mm, (196-209)	196 - 209	-	202	264	123	30x3.0	M10	6000	20

Single Bossed Clamps

Article No.			Product Description	Clamping Range (D) (mm)	Pipe Size		B (mm)	H (mm)	bxs (mm)	V	Max. Reco. Static Load (Frec) (N)	Pack Size (Nos)
Galvanized (vz)					(inch)	(mm)						
1/2"	3/4"	1"										
615126	615128	615130	FX SRS Heavy CS, 8", (214-226)	214 - 226	8"	-	279	131	30x4	M10	6000	15
615132	615134	615136	FX SRS Heavy CS, 10", (266-274)	266 - 274	10"	-	335	159	30x4	M10	6000	15
615138	615140	615142	FX SRS Heavy CS, 12", (308-324)	308 - 324	12"	-	400	182	30x4	M12	11700	10
615144	615146	615148	FX SRS Heavy CS, 14", (340-356)	340 - 356	14"	-	432	198	40x4	M12	11700	8
615150	615152	615154	FX SRS Heavy CS, 380 mm, (374-390)	374 - 390	-	380	505	213	40x4	M16	13000	5
615156	615158	615160	FX SRS Heavy CS, 16", (393-409)	393 - 409	16"	-	537	227	50x5	M16	13000	5
615162	615164	615166	FX SRS Heavy CS, 18", (444-460)	444 - 460	18"	-	590	255	50x5	M16	13000	5
615168	615170	615172	FX SRS Heavy CS, 20", (497-512)	497 - 512	20"	-	645	281	50x5	M16	13000	4

*Available on request

Article No.			Product Description	Clamping Range (D) (mm)	Pipe Size		B (mm)	H (mm)	bxs (mm)	V	Max. Reco. Static Load (Frec) (N)	Pack Size (Nos)
Dacrotized (fvz)					(inch)	(mm)						
1/2"	3/4"	1"										
615001	615003	615005	FX SRS Heavy CS, 1/4", (12-17)	12 - 17	1/4"	-	75	27	25x2	M8	2750	50
615007	615009	615011	FX SRS Heavy CS, 1/2", (21-28)	21 - 28	1/2"	-	81	31	25x2	M8	2750	50
615013	615015	615017	FX SRS Heavy CS, 3/4", (25-32)	25 - 32	3/4"	-	87	34	25x2	M8	2750	50
615019	615021	615023	FX SRS Heavy CS, 1", (33-40)	33 - 40	1"	-	94	38	25x2	M8	2750	50
615025	615027	615029	FX SRS Heavy CS, 1 1/4", (41-48)	41 - 48	1 1/4"	-	103	43	25x2	M8	2750	50
615031	615033	615035	FX SRS Heavy CS, 1 1/2", (48-56)	48 - 56	1 1/2"	-	111	46	25x2	M8	2750	40
615037	615039	615041	FX SRS Heavy CS, 57 mm, (53-59)	53 - 59	-	57	120	50	25x2	M8	2750	40
615043	615045	615047	FX SRS Heavy CS, 2", (60-69)	60 - 69	2"	-	125	52	25x2	M8	2750	40
615049	615051	615053	FX SRS Heavy CS, 70 mm, (67-75)	67 - 75	-	70	134	56	25x2	M8	2750	30
615055	615057	615059	FX SRS Heavy CS, 2 1/2", (75-81)	75 - 81	2 1/2"	-	141	60	25x2	M8	2750	30
615061	615063	615065	FX SRS Heavy CS, 83 mm, (83-91)	83 - 91	-	83	149	64	25x2	M8	2750	30
615067	615069	615071	FX SRS Heavy CS, 3", (87-95)	87 - 95	3"	-	154	66	25x2	M8	2750	30
615073	615075	615077	FX SRS Heavy CS, 102 mm, (95-104)	95 - 104	-	102	161	70	25x2	M8	2750	30
615079	615081	615083	FX SRS Heavy CS, 110 mm, (102-112)	102 - 112	-	110	169	74	30x2.5	M8	3750	30
615085	615087	615089	FX SRS Heavy CS, 4", (109-119)	109 - 119	4"	-	178	80	30x2.5	M8	3750	30
615091	615093	615095	FX SRS Heavy CS, 125 mm, (122-138)	122 - 138	-	125	192	87	30x3	M10	6000	10
615097	615099	615101	FX SRS Heavy CS, 133 mm, (128-141)	128 - 141	-	133	197	90	30x3	M10	6000	10
615103	615105	615107	FX SRS Heavy CS, 5", (136-147)	136 - 147	5"	-	204	93	30x3	M10	6000	10
615109	615111	615113	FX SRS Heavy CS, 160 mm, (153-164)	153 - 164	-	160	220	101	30x3	M10	6000	10
615115	615117	615119	FX SRS Heavy CS, 6", (164-174)	164 - 174	6"	-	229	106	30x3	M10	6000	20
615121	615123	615125	FX SRS Heavy CS, 202 mm, (196-209)	196 - 209	-	202	264	123	30x3	M10	6000	20
615127	615129	615131	FX SRS Heavy CS, 8", (214-226)	214 - 226	8"	-	279	131	30x4	M10	6000	15
615133	615135	615137	FX SRS Heavy CS, 10", (266-274)	266 - 274	10"	-	335	159	30x4	M10	6000	15
615139	615141	615143	FX SRS Heavy CS, 12", (308-324)	308 - 324	12"	-	400	182	30x4	M12	11700	10
615145	615147	615149	FX SRS Heavy CS, 14", (340-356)	340 - 356	14"	-	432	198	40x4	M12	11700	8
615151	615153	615155	FX SRS Heavy CS, 380 mm, (374-390)	374 - 390	-	380	505	213	40x4	M16	13000	5
615157	615159	615161	FX SRS Heavy CS, 16", (393-409)	393 - 409	16"	-	537	227	50x5	M16	13000	5
615163	615165	615167	FX SRS Heavy CS, 18", (444-460)	444 - 460	18"	-	590	255	50x5	M16	13000	5
615169	615171	615173	FX SRS Heavy CS, 20", (497-512)	497 - 512	20"	-	645	281	50x5	M16	13000	4

*Available on request