

Single Bossed Clamps

Two piece single bossed clamp with connection socket

Material specifications	
Material	DD11 or equivalent steel
Coatings	Galvanized, Dacrotized*, Powder Coated*, Zinc Magnesium*

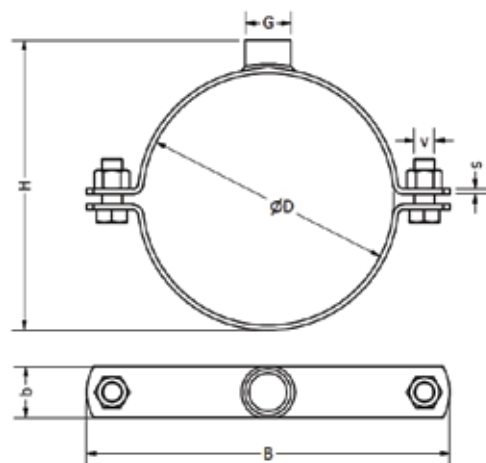


Applications

- Installation of heavy duty industrial pipes
- Suitable for installation of cast iron and ductile iron pipes
- Suitable for stand-off installations of pipes

Features & Benefits

- Connection socket provides higher bending resistance for stand off pipe installations
- Ideally to be used with threaded pipe and base plate for pipe installations
- Strong clamping bolts offers enhanced flexibility in accommodating higher variation of pipe diameters and higher loads
- Dual nut allows multiple threaded attachments
- Reinforced rib design provides enhanced strength



Select Variant

Article No.			Product Description	Clamping Range (D) (mm)	Pipe Size		B (mm)	H (mm)	bxs (mm)	V	Max. Reco. Static Load (Frec) (N)	Pack Size (Nos)
Galvanized (vz)					(inch)	(mm)						
1/2"	3/4"	1"										
615250	615252	615254	FX SRS Heavy CS w/o Lining, 1/2", (18-23)	18 - 23	1/2"	-	75	27	25x2	M8	2750	50
615256	615258	615260	FX SRS Heavy CS w/o Lining, 3/4", (26-31)	26 - 31	3/4"	-	81	31	25x2	M8	2750	50
615262	615264	615266	FX SRS Heavy CS w/o Lining, 1", (31-37)	31 - 37	1"	-	87	34	25x2	M8	2750	50
615268	615270	615272	FX SRS Heavy CS w/o Lining, 1 1/4", (38-44)	38 - 44	1 1/4"	-	94	38	25x2	M8	2750	50
615274	615276	615278	FX SRS Heavy CS w/o Lining, 1 1/2", (46-53)	46 - 53	1 1/2"	-	103	43	25x2	M8	2750	50
615280	615282	615284	FX SRS Heavy CS w/o Lining, 57 mm, (54-60)	54 - 60	-	57	111	46	25x2	M8	2750	50
615286	615288	615290	FX SRS Heavy CS w/o Lining, 2", (60-68)	60 - 68	2"	-	120	50	25x2	M8	2750	40
615292	615294	615296	FX SRS Heavy CS w/o Lining, 70 mm, (66-73)	66 - 73	-	70	125	52	25x2	M8	2750	40
615298	615300	615302	FX SRS Heavy CS w/o Lining, 2 1/2", (74-81)	74 - 81	2 1/2"	-	134	56	25x2	M8	2750	40
615304	615306	615308	FX SRS Heavy CS w/o Lining, 83 mm, (82-88)	82 - 88	-	83	141	60	25x2	M8	2750	30
615310	615312	615314	FX SRS Heavy CS w/o Lining, 3", (88-97)	88 - 97	3"	-	149	64	25x2	M8	2750	30
615316	615318	615320	FX SRS Heavy CS w/o Lining, 102 mm, (93-100)	93 - 100	-	102	154	66	25x2	M8	2750	30
615322	615324	615326	FX SRS Heavy CS w/o Lining, 110 mm, (101-109)	101 - 109	-	110	161	70	25x2	M8	2750	30
615328	615330	615332	FX SRS Heavy CS w/o Lining, 4", (110-118)	110 - 118	4"	-	169	74	30x2.5	M8	3750	30
615334	615336	615338	FX SRS Heavy CS w/o Lining, 125 mm, (116-126)	116 - 126	-	125	178	80	30x2.5	M8	3750	30
615340	615342	615344	FX SRS Heavy CS w/o Lining, 133 mm, (130-141)	130 - 141	-	133	192	87	30x3	M10	6000	20
615346	615348	615350	FX SRS Heavy CS w/o Lining, 5", (136-145)	136 - 145	5"	-	197	90	30x3	M10	6000	20
615352	615354	615356	FX SRS Heavy CS w/o Lining, 150 mm, (144-154)	144 - 154	-	150	204	93	30x3	M10	6000	10
615358	615360	615362	FX SRS Heavy CS w/o Lining, 6", (160-169)	160 - 169	6"	-	220	101	30x3	M10	6000	10
615364	615366	615368	FX SRS Heavy CS w/o Lining, 170 mm, (170-180)	170 - 180	-	170	229	106	30x3	M10	6000	10
615370	615372	615374	FX SRS Heavy CS w/o Lining, 212 mm, (202-214)	202 - 214	-	212	264	123	30x3	M10	6000	20

Single Bossed Clamps

Article No.			Product Description	Clamping Range (D) (mm)	Pipe Size		B (mm)	H (mm)	bxs (mm)	V	Max. Reco. Static Load (Frec) (N)	Pack Size (Nos)
Galvanized (vz)					(inch)	(mm)						
1/2"	3/4"	1"										
615376	615378	615380	FX SRS Heavy CS w/o Lining, 8", (219-230)	219 - 230	8"	-	279	131	30x4	M10	6000	15
615382	615384	615386	FX SRS Heavy CS w/o Lining, 10", (273-283)	273 - 283	10"	-	335	159	30x4	M10	6000	15
615388	615390	615392	FX SRS Heavy CS w/o Lining, 12", (317-333)	317 - 333	12"	-	400	182	30x4	M12	11700	15
615394	615396	615398	FX SRS Heavy CS w/o Lining, 14", (349-365)	349 - 365	14"	-	432	198	40x4	M12	11700	10
615400	615402	615404	FX SRS Heavy CS w/o Lining, 380 mm, (380-396)	380 - 396	-	380	505	213	50x5	M16	13000	10
615406	615408	615410	FX SRS Heavy CS w/o Lining, 16", (398-414)	398 - 414	16"	-	537	227	50x5	M16	13000	5
615412	615414	615416	FX SRS Heavy CS w/o Lining, 18", (450-466)	450 - 466	18"	-	590	255	50x5	M16	13000	5
615418	615420	615422	FX SRS Heavy CS w/o Lining, 20", (501-517)	501 - 517	20"	-	645	281	50x5	M16	13000	5

*Available on request

Article No.			Product Description	Clamping Range (D) (mm)	Pipe Size		B (mm)	H (mm)	bxs (mm)	V	Max. Reco. Static Load (Frec) (N)	Pack Size (Nos)
Dacrotized (fvz)					(inch)	(mm)						
1/2"	3/4"	1"										
615251	615253	615255	FX SRS Heavy CS w/o Lining, 1/2", (18-23)	18 - 23	1/2"	-	75	27	25x2	M8	2750	50
615257	615259	615261	FX SRS Heavy CS w/o Lining, 3/4", (26-31)	26 - 31	3/4"	-	81	31	25x2	M8	2750	50
615263	615265	615267	FX SRS Heavy CS w/o Lining, 1", (31-37)	31 - 37	1"	-	87	34	25x2	M8	2750	50
615269	615271	615273	FX SRS Heavy CS w/o Lining, 1 1/4", (38-44)	38 - 44	1 1/4"	-	94	38	25x2	M8	2750	50
615275	615277	615279	FX SRS Heavy CS w/o Lining, 1 1/2", (46-53)	46 - 53	1 1/2"	-	103	43	25x2	M8	2750	50
615281	615283	615285	FX SRS Heavy CS w/o Lining, 57 mm, (54-60)	54 - 60	-	57	111	46	25x2	M8	2750	50
615287	615289	615291	FX SRS Heavy CS w/o Lining, 2", (60-68)	60 - 68	2"	-	120	50	25x2	M8	2750	40
615293	615295	615297	FX SRS Heavy CS w/o Lining, 70 mm, (66-73)	66 - 73	-	70	125	52	25x2	M8	2750	40
615299	615301	615303	FX SRS Heavy CS w/o Lining, 2 1/2", (74-81)	74 - 81	2 1/2"	-	134	56	25x2	M8	2750	40
615305	615307	615309	FX SRS Heavy CS w/o Lining, 83 mm, (82-88)	82 - 88	-	83	141	60	25x2	M8	2750	30
615311	615313	615315	FX SRS Heavy CS w/o Lining, 3", (88-97)	88 - 97	3"	-	149	64	25x2	M8	2750	30
615317	615319	615321	FX SRS Heavy CS w/o Lining, 102 mm, (93-100)	93 - 100	-	102	154	66	25x2	M8	2750	30
615323	615325	615327	FX SRS Heavy CS w/o Lining, 110 mm, (101-109)	101 - 109	-	110	161	70	25x2	M8	2750	30
615329	615331	615333	FX SRS Heavy CS w/o Lining, 4", (110-118)	110 - 118	4"	-	169	74	30x2.5	M8	3750	30
615335	615337	615339	FX SRS Heavy CS w/o Lining, 125 mm, (116-126)	116 - 126	-	125	178	80	30x2.5	M8	3750	30
615341	615343	615345	FX SRS Heavy CS w/o Lining, 133 mm, (130-141)	130 - 141	-	133	192	87	30x3	M10	6000	20
615347	615349	615351	FX SRS Heavy CS w/o Lining, 5", (136-145)	136 - 145	5"	-	197	90	30x3	M10	6000	20
615353	615355	615357	FX SRS Heavy CS w/o Lining, 150 mm, (144-154)	144 - 154	-	150	204	93	30x3	M10	6000	10
615359	615361	615363	FX SRS Heavy CS w/o Lining, 6", (160-169)	160 - 169	6"	-	220	101	30x3	M10	6000	10
615365	615367	615369	FX SRS Heavy CS w/o Lining, 170 mm, (170-180)	170 - 180	-	170	229	106	30x3	M10	6000	10
615371	615373	615375	FX SRS Heavy CS w/o Lining, 212 mm, (202-214)	202 - 214	-	212	264	123	30x3	M10	6000	20
615377	615379	615381	FX SRS Heavy CS w/o Lining, 8", (219-230)	219 - 230	8"	-	279	131	30x4	M10	6000	15
615383	615385	615387	FX SRS Heavy CS w/o Lining, 10", (273-283)	273 - 283	10"	-	335	159	30x4	M10	6000	15
615389	615391	615393	FX SRS Heavy CS w/o Lining, 12", (317-333)	317 - 333	12"	-	400	182	30x4	M12	11700	15
615395	615397	615399	FX SRS Heavy CS w/o Lining, 14", (349-365)	349 - 365	14"	-	432	198	40x4	M12	11700	10
615401	615403	615405	FX SRS Heavy CS w/o Lining, 380 mm, (380-396)	380 - 396	-	380	505	213	50x5	M16	13000	10
615407	615409	615411	FX SRS Heavy CS w/o Lining, 16", (398-414)	398 - 414	16"	-	537	227	50x5	M16	13000	5
615413	615415	615417	FX SRS Heavy CS w/o Lining, 18", (450-466)	450 - 466	18"	-	590	255	50x5	M16	13000	5
615419	615421	615423	FX SRS Heavy CS w/o Lining, 20", (501-517)	501 - 517	20"	-	645	281	50x5	M16	13000	5

*Available on request